

CENTRO 1 (2250mm) Graphic Specification

1965mm x 2245mm

Visible graphic area
1965mmH x 2245mmW

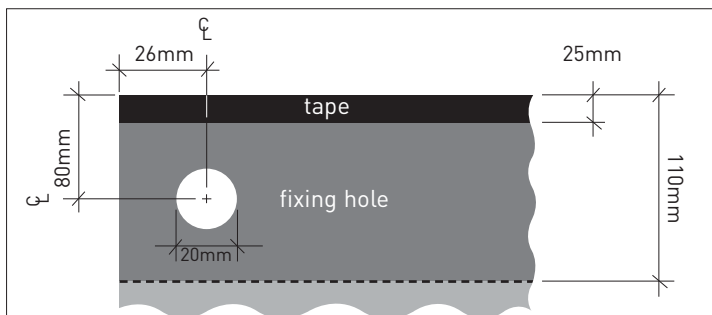
Finished print size
2200mmH x 2245mmW

Image bleed area
2200mmH x 2245mmW
(add 5mm Bleed and crop marks)

TOP



BOTTOM



Fixing Hole Diagram:

- 26mm from outside edge to centre.
- 80mm from trimmed end to centre.
- Hole Diameter 20mm.

110mm extra for overlap based on using 25mm wide double-sided tape to secure graphic. This makes a 85mm pocket.

----- Graphic folding edge/crease line

